

NEW PRODUCT LAUNCH

AVA1500-60-1P

Integrated System Mobile Stand



90° Swivel to Landscape or Portrait Positioning

Emmy Mount®

20 Years Industrial Experiences in AV Peripherals' Products



Digital Signage



Integrated Conferencing



Advertisement Mobile Display



Mobile Surveillance station

AVA1500-60-1P Integrated System Mobile Stand

Emmy Mount®



Commercial Applications



Digital Signage



Video Shelf and Universal Mounting Interface



Display Height Adjustable



Landscape or Portrait Positioning



Precision Swivel Braked Castors

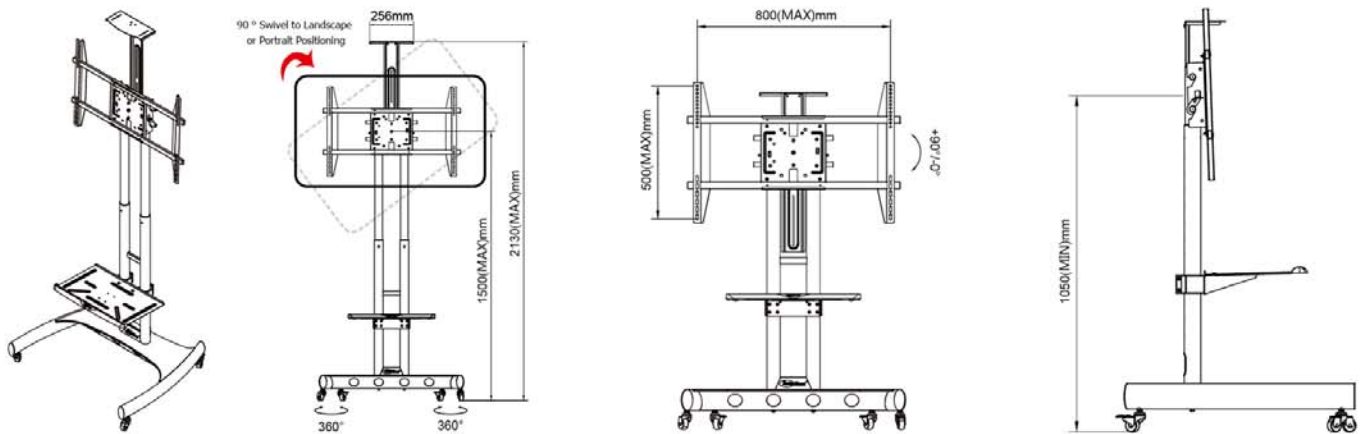


Safety Lock Blade designed



Height Adjustable Accessories Tray

PRODUCT DIMENSIONS



SPECIFICATION

- Maximum display height 1500mm
- Fits 32" to 60" Flat Panel TV
- TV mounting patent : 200x200mm,200x400mm, 400x400mm,400x600mm,400x700mm,500x800mm
- Maximum load carried : 45.5kg (100 lbs)
- Comes with camera tray, universal TV mounting interface and accessories tray
- 90 ° swivel to landscape or portrait positioning
- Seamless pipe, steel and chrome dual pole
- Integrated cable management through columns

This user friendly, modular design makes this stands quick & easy to assemble and dismantle at site. The dual chrome pole stand design allowed you to carry up to max load of 45.5 kg (100 lbs), TV panel from 32" to 60".

The 1500mm max display height design, easy transportation and landscape or portrait positioning making this trolley ideally use in boardroom presentations, school lecturing, advertising, exhibitions, trade show and digital signages.

For more information on these and other products from EMMYMOUNT, please visit www.emmymount.com

TEL : 86-512-57971777 FAX : 86-512-57972776

Kunshan Hongjie Electronics CO.,Ltd.

Add:NO.58 South of Xinxing Road Penglang Town,
Kunshan City, Jiangsu Province, China